



SUSPENDED WORKING PLATFORMS

**GEDA®
AB 450/650**

GEDA®

GEDA® AB 450 AB 650



GEDA®-AB 450 SUSPENDED WORKING PLATFORM

Traction force per winch 450 kg

GEDA®-AB 650 SUSPENDED WORKING PLATFORM

Traction force per winch 650 kg

- length of platform 1 to 14 m
- lifting speed 9 m/min
- power supply 230 V or 400 V/50 Hz
- winch supported by C-brackets or fixed to the platform ends

Basic version of platforms from 2 m length consisting of:

- 2 drive units 400 V complete with overspeed safety brake, safety device in case of rope failure, overload protection, electrical levelling and limit switches
- 2 C-brackets or supports at the platform ends
- 2 infinitely adjustable wall spacers
- 2 stop disks for upper limit switch
- 2 rope weights
- 1 central control (push buttons EMERGENCY-OFF/UP/DOWN, selector switch for operating the drive units individually or together)
- power socket 230 V
- 2 guard rails for platform ends

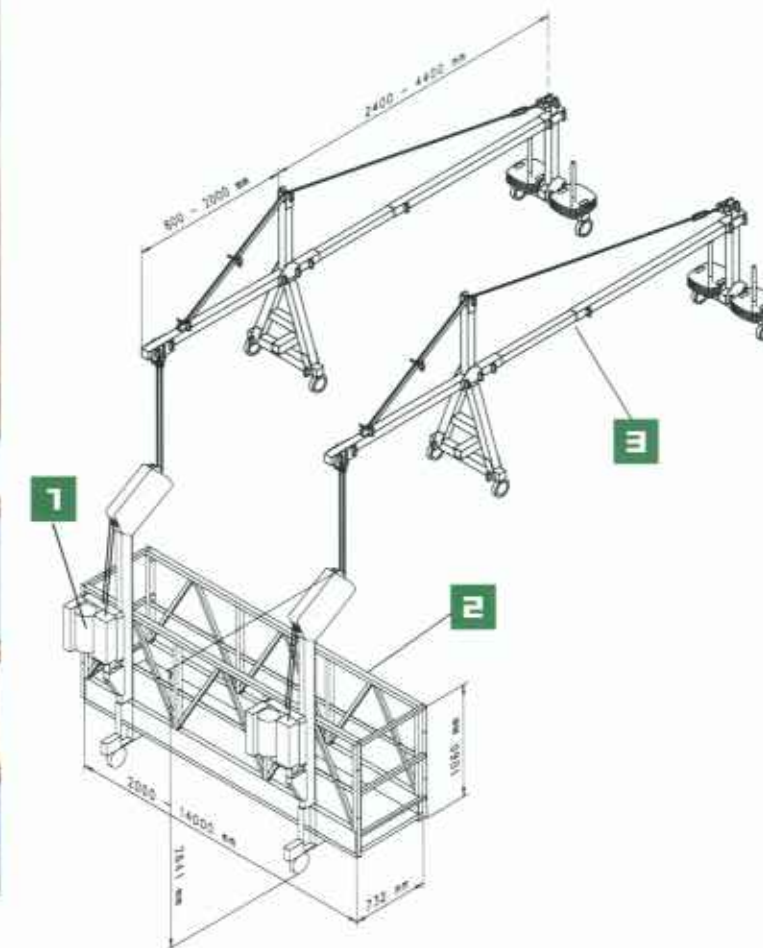
The suspended working platforms by **GEDA®** allow you to carry out work at building facades as well as silos, towers, cooling towers, industrial plants, wells etc. without the need for a scaffold.

Compared to conventional solutions the **GEDA®** suspended working platforms offer many advantages:

- You may work at facades and walls at low costs irrespective of the building height.
- The platform provides ample space for persons and material.
- The working height can be adjusted to the centimetre, which ensures the ergonomically best working position.
- The newly developed platform sections are very light only having a weight of 21 kg per metre, which facilitates moving of the assembled platform.
- Corner sections and angles are used to easily adjust the platform to the different building shapes.
- The galvanised roof jibs are quickly assembled and disassembled by means of connectors. The components can easily be transported by one person.
- For special jobs special systems of suspension are available.
- The roof jibs have a standard front projection of up to 2 m which makes it possible to even work in front of balconies.



By means of special controls up to 4 drive units can be operated simultaneously allowing to use also larger platform assemblies.



The platform can be adjusted to the shape of the building using corner sections.



The drive units can also be fixed to the platform ends that are provided with special fixing points. This is a low-cost alternative to C-brackets.



For the installation of curtain wall panels the double-deck version is often used to allow fixing of the panels at the same time at several places.



As an alternative **GEDA** offers a parapet clamp, which is very advantageous providing that the parapets are strong enough to bear the load.

- 1 The drive units feature an automatic cable feed which prevents incorrect cable routing.
- 2 The integrated levelling device makes sure that the platform is always level when 2 winch controls are used.
- 3 Roof jibs that can quickly be assembled and disassembled by means of connectors. Due to the low weight and small dimensions, the components of the roof jibs can be transported onto the flat roof via a passenger lift.



For the refurbishment of concrete facades the suspended working platforms are superior to other possibilities due to the considerably reduced setting-up time and low operating costs.



For use in potentially explosive locations a hand drive unit is available as an alternative to the electric version and has proved very effective in these areas.



Two versions of roof jibs are available (DA 1 and DA 6). The pictured roof jib DA 6 includes jib version DA 1. The roll and rotation movements can be blocked at each wheel.



The suspended working cage **GEDA-AB 450** with only one drive unit (pictured in a 2 m version) can economically be used even on relatively small buildings.

Special constructions available upon request!



GEDA[®] PROGRAMME



Rope hoists: ■ Swivel arm hoists
■ Scaffolding hoists



Inclined lifts with steel wire rope



Inclined and vertical lifts with rack and pinion



Rack and pinion hoists with aluminium mast



Rack and pinion hoists with steel mast



Transport platforms



Passenger/material hoists



Suspended working platforms



Rubbish chutes