



GEDA[®]
1500 Z/ZP

TRANSPORT PLATFORM FOR PEOPLE

AND MATERIALS

NEW

Can be
converted to a
building hoist

®

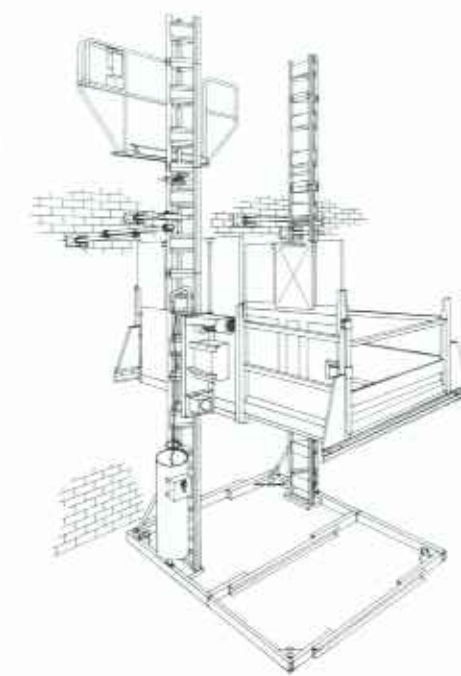
GEDA

GEDA® 1500 Z/ZP

GEDA® transport platform for people and materials

The transport platform **GEDA® 1500 Z/ZP** is a simple and inexpensive transport system for material and people.

The **GEDA®** transport platform complies with the Machinery Directive 98/37/EEC and is homologated for the lifting of max. 7 persons and material up to a total weight of 1500 kg. **The transport platform has been tested by a European Notified Body and carries the CE mark.**



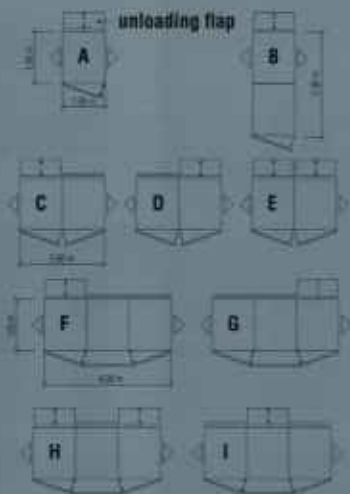
GEDA® 1500 Z/ZP TRANSPORT PLATFORM FOR PEOPLE AND MATERIALS

can be converted to a building hoist for materials

- load capacity 1500 kg for persons
- load capacity 2000 kg for material
- lifting speed 12/24 m/min.
- lifting height 100 m
- modular construction

The base unit consists of:

- foot section with 4 adjusting spindles and 2 base masts each 2.0 m
- drive unit package with 2 x 2.8/5.5 kW/400 V/50 Hz
- one landing level safety gate, complete (Art. No. 1177)
- limit switch activating elements (one each for landing level stop and emergency-off)
- manual control panel with 5 m cable, plug-in type
- drop test control for testing the overspeed safety brake, with 10 m cable, plug-in type



Integrated in load platform variants:

- trolley with overspeed safety brake
- safety stop approx. 2 m above the ground with warning sound
- operation and emergency limit switches (for up and down movements) and limit switches for mast end and mast connection
- permanently installed control unit with key-switch (also serves as assembly control)
- power cut-off in case of overload with indication
- crane jacks and pick-up for transport by forklift truck



Load platform variant "A"



Load platform variant "G"



Load platform variant "B"



Load platform variant "A"

used as building hoist
for materials
1500 Z (24 m/min.)



← GEDA® 1500 Z/ZP →

- compatible mast (suitable from 500 to 1500 kg)
- spacious load platform, open at the top
- assembly without the need for a crane
- inexpensive partner

used as transport platform
for people and materials
1500 ZP (12 m/min.)



Load platform variant "E"



Simple loading of long, bulky material. Load platform variant "I", dimensions 1.65 x 4.35 m.



Comfortable assembly of the 1.5 m high steel mast sections (hot-dip galvanised) with captive screws and nuts.



Assembly plank (can be retrofitted) for anchoring the transport platform without pre-built scaffold.



The load platform has a lot of space for bulky and heavy materials. Load platform variant "B", dimensions 1.45 x 3.3 m.



Hot-dip galvanised landing level safety gates (1 piece is supplied with the base unit) with mechanically locked sliding door are installed at the landing levels to ensure safety of people.

GEDA® PROGRAMME



Rope hoists: ■ Swivel arm hoists
■ Scaffolding hoists



Inclined lifts with steel wire rope



Inclined and vertical lifts with rack and pinion



Rack and pinion hoists with aluminium mast



Rack and pinion hoists with steel mast



Transport platforms



Passenger/material hoists



Suspended working platforms



Rubbish chutes